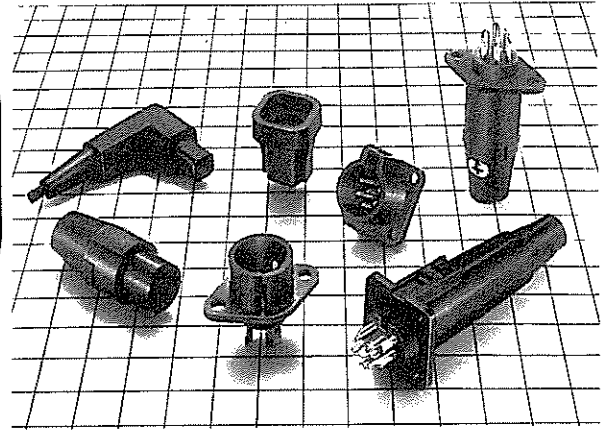


# RP SERIES CIRCULAR PLASTIC CONNECTORS

## Scope

RP series plastic connectors are developed to meet the demands of low cost and light weight consumer electronic equipment. Its unique one-touch locking mechanism is a push-on system. It offers easy coupling and stable performance.



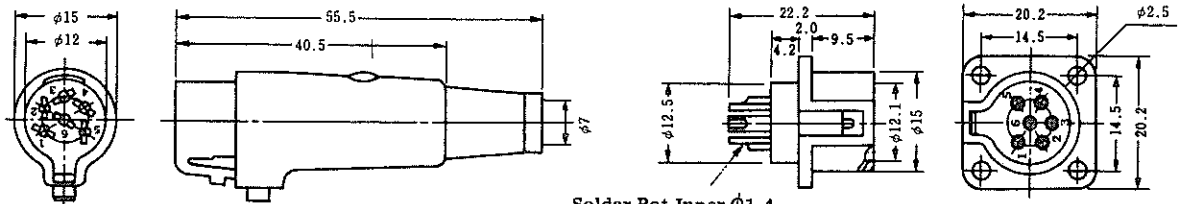
## Material and Finish

| Description           | Material                             | Finish         |
|-----------------------|--------------------------------------|----------------|
| Molding and Insulator | Polyamide resin and Polyacetal resin | —              |
| Male pin              | Brass                                | Silver plating |
| Female pin            | Phosphor bronze                      | Silver plating |

## Performance

| Description           | Test data          |                  |
|-----------------------|--------------------|------------------|
|                       | RPC1 • RPC2        | RP9              |
| Withstand voltage     | AC500V/1 minute    | AC300V/1 minute  |
| Current capacity      | 5A                 | 1A               |
| Insulation resistance | DC500V/1,000MΩ min | DC100V/200MΩ min |
| Contact resistance    | 5mΩ max at DC1A    | 10mΩ max at DC1A |

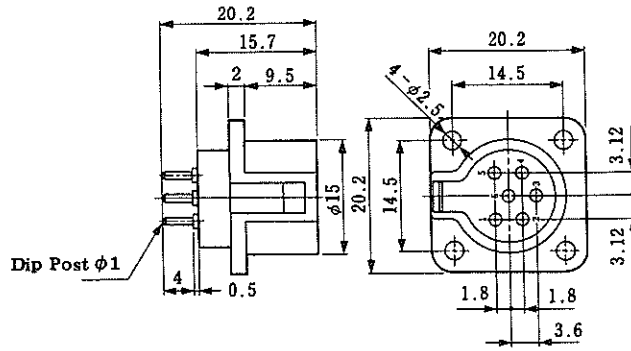
## RPC1



Solder Pot Inner φ1.4

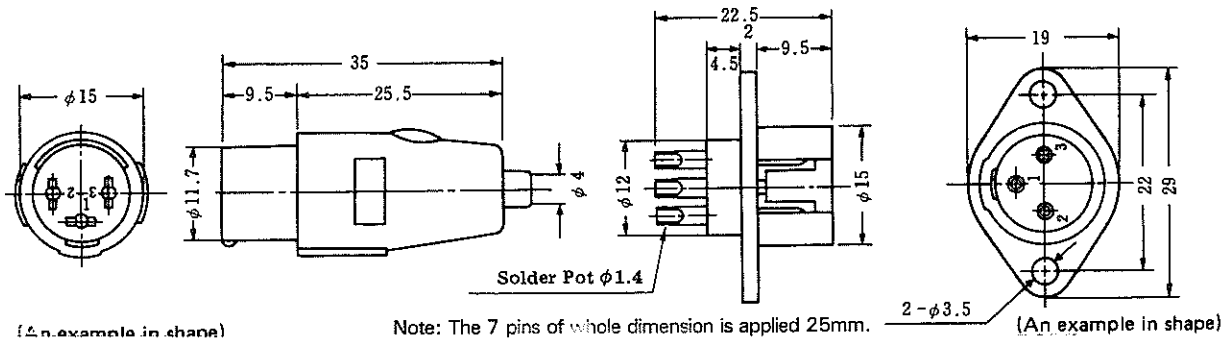
| HRS No.       | Part No.        | No. of pin | Colour | RoHS |
|---------------|-----------------|------------|--------|------|
| 113-0001-8-71 | RPC1-12P-6S(71) | 6          | Gray   | ○    |
| 113-0001-8-73 | RPC1-12P-6S(73) | 6          | Black  |      |

| HRS No.       | Part No.         | No. of pin | Colour | RoHS |
|---------------|------------------|------------|--------|------|
| 113-0020-2-71 | RPC1-12RB-6P(71) | 6          | Black  | ○    |
| 113-0020-2-72 | RPC1-12RB-6P(72) | 6          | Gray   |      |



| HRS No.       | Part No.          | No. of pin | Colour | RoHS |
|---------------|-------------------|------------|--------|------|
| 113-0065-0-71 | RPC1-12RB-6PD(71) | 6          | Black  | ○    |

## RPC2



(An example in shape)

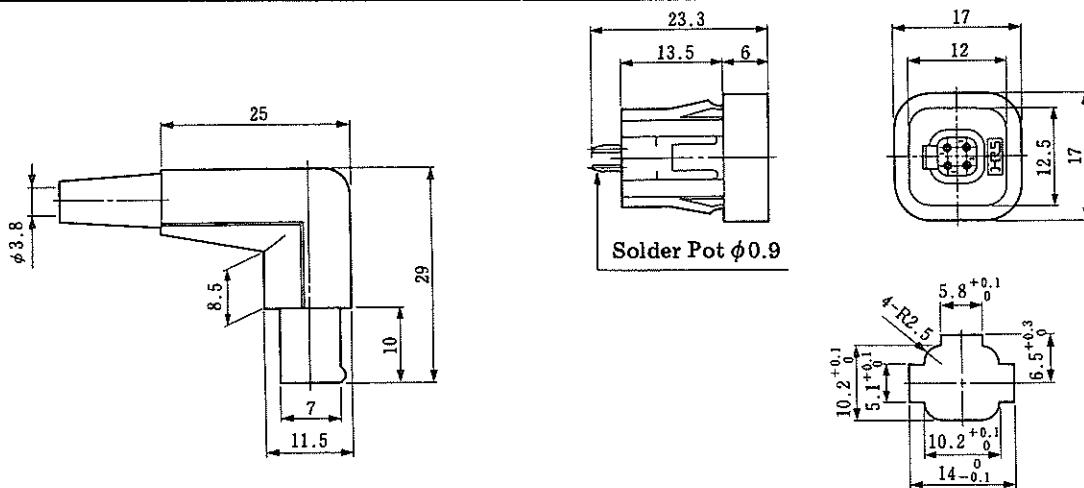
Note: The 7 pins of whole dimension is applied 25mm.

(An example in shape)

| HRS No.       | Part No.        | No. of pin | Colour | RoHS |
|---------------|-----------------|------------|--------|------|
| 113-0003-3-71 | RPC2-12P-3S(71) | 3          | Blue   | ○    |
| 113-0015-2-71 | RPC2-12P-7S(71) | 7          | Blue   |      |

| HRS No.       | Part No.         | No. of pin | Colour | RoHS |
|---------------|------------------|------------|--------|------|
| 113-0023-0-71 | RPC2-12RB-3P(71) | 3          | Blue   | ○    |
| 113-0024-3-71 | RPC2-12RB-7P(71) | 7          | Blue   |      |

## RP9



| HRS No.       | Part No.      | No. of pin | Colour | RoHS |
|---------------|---------------|------------|--------|------|
| 113-0049-4-71 | RP9-7P-4P(71) | 4          | Black  | ○    |

| HRS No.    | Part No.  | No. of pin | Colour |
|------------|-----------|------------|--------|
| 113-0050-3 | RP9-7R-4S | 4          | Black  |

Remark: Applicable panel thickness: 1.6±0.03mm.