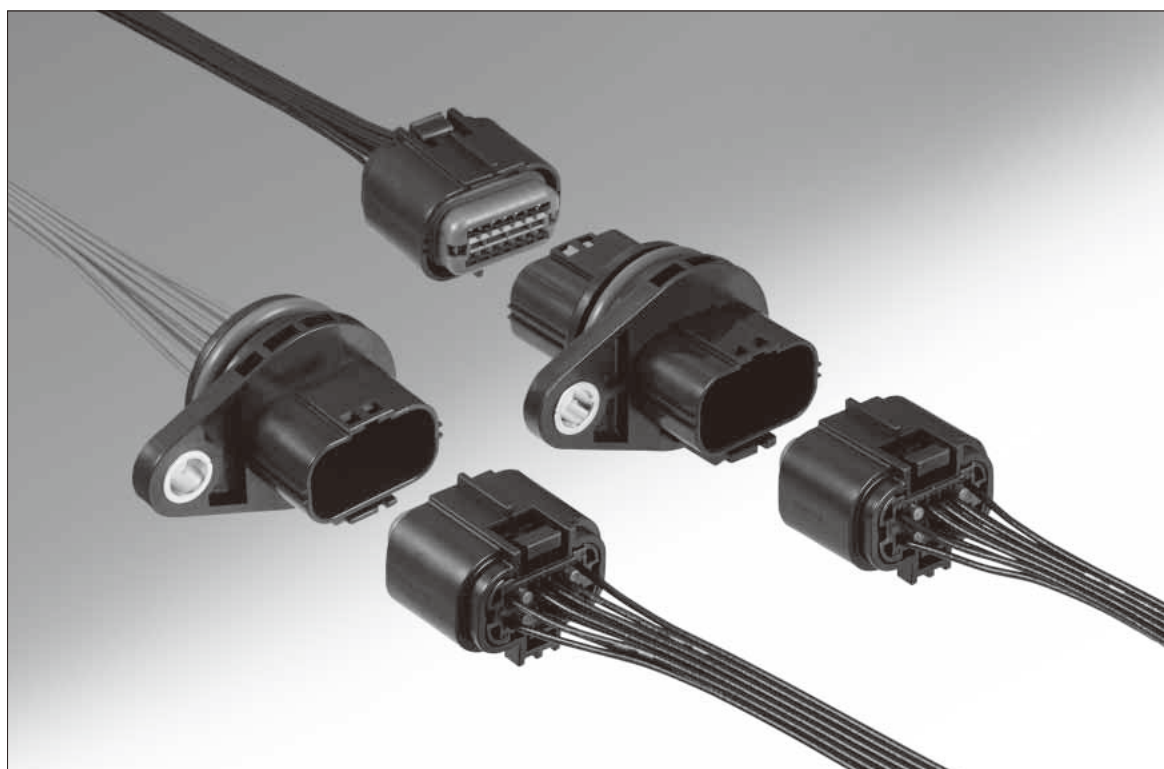


GT18W Series

— ECU Miniature Waterproof Connectors —



■ Features

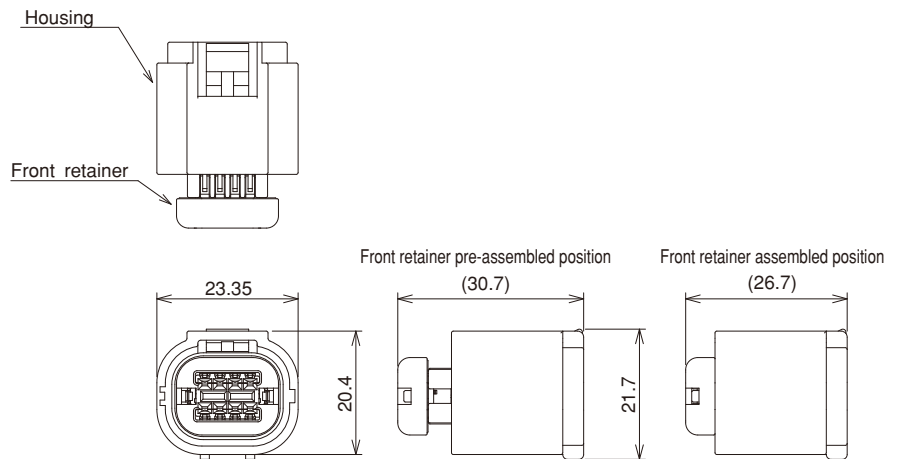
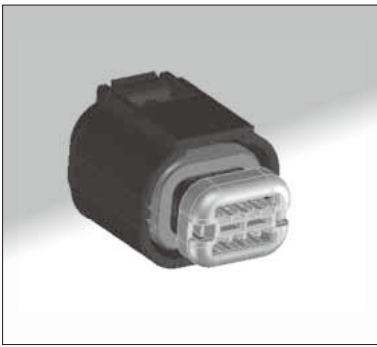
1. Subminiature size for a waterproof connector, with a pitch of 2.5 mm.
2. Complete prevention of degeneration of waterproof performance due to cable bending.

■ Product Specifications

Rated Current	Insulation Resistance	Withstanding Voltage	Contact Resistance	Operating Temperature Range
3A	DC 500V、100 MΩmin	AC 650V, for one minute	DC 1A, No more than 30mΩ	-40℃~+105℃ (Note1)

Note 1 : Includes temperature rise caused by current flow.

■ F Connectors (Pre-assembled front retainer)

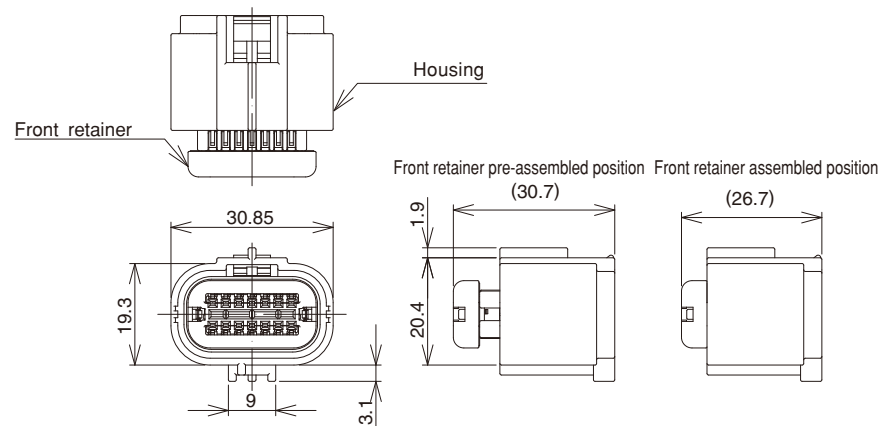


Part No.	HRS No.	Material/Plating or Color	Packaging	RoHS
GT18WB-8DS-HU	(Under development)	Housing : PBT / Black Front retainer : PBT / Brown Rear holder : PBT / Black Housing seal : Silicone / Brown Wire seal : Silicone / Brown	1	YES

Note 1 : Applicable terminal is GT25HA-2024SCF.

Note 2 : Front retainer is pre-assembled.

Note 3 : Mates with GT18WB-8DP-AD.



Part No.	HRS No.	Material/Plating or Color	Packaging	RoHS
GT18WB-14DS-HU	768-0039-8	Housing : PBT / Black Front retainer : PBT / Brown Rear holder : PBT / Black Housing seal : Silicone / Brown Wire seal : Silicone / Brown	1	YES
GT18WB-14DS-HU(A)	768-0040-7	Housing : PBT / Gray Front retainer : PBT / Brown Rear holder : PBT / Black Housing seal : Silicone / Brown Wire seal : Silicone / Brown		

Note 1 : Applicable terminal is GT25HA-2024SCF.

Note 2 : Front retainer is pre-assembled.

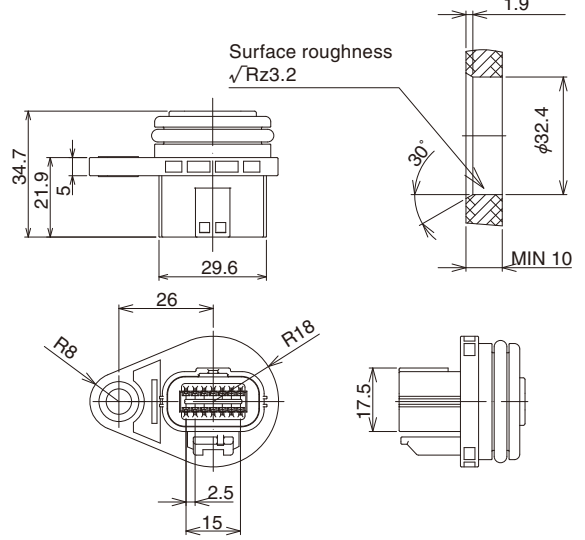
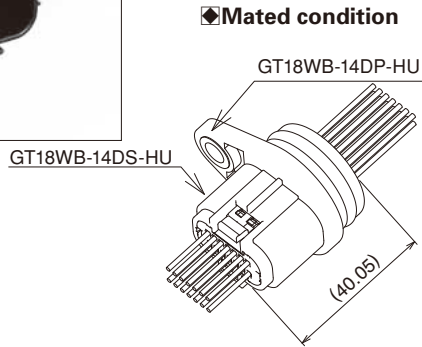
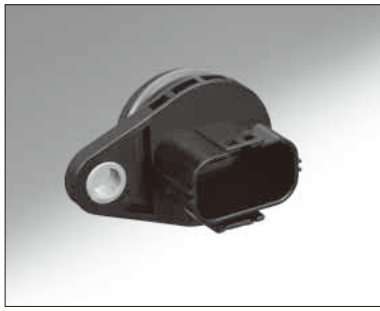
Note 3 : GT18WB-14DS-HU(A) is different key version of GT18WB-14DS-HU.

Note 4 : Mates with GT18WB-14DP-HU and GT18WB-14DP-AD.

Panel mount in-line connector (two piece structure)

M Connector

◆Recommended panel cutout dimension
(Material : A5052)



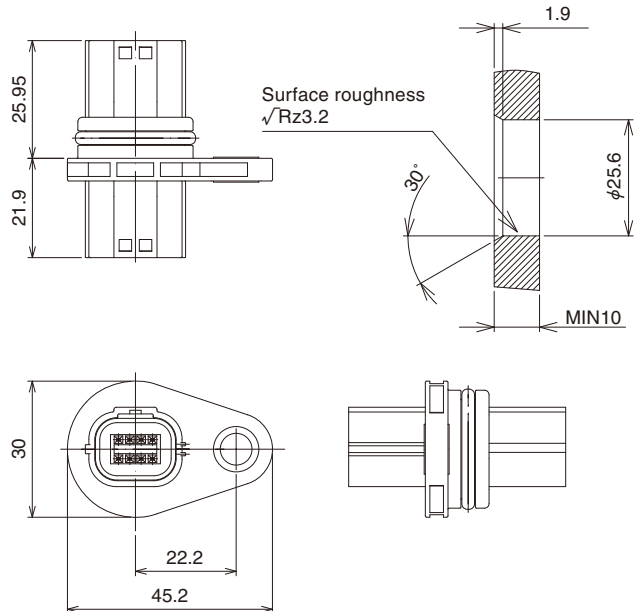
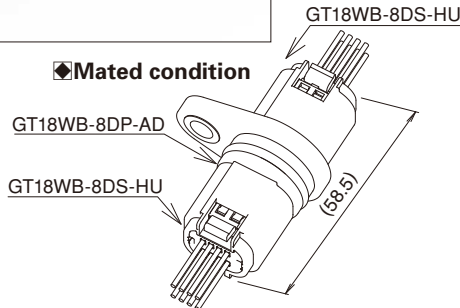
Part No.	HRS No.	Material/Plating or Color	Packaging	RoHS
GT18WB-14DP-HU	768-0036-0	Housing : PBT / Black O-ring : Silicone / Brown Ring : Ferrous / Zinc plating	1	YES
GT18WB-14DP-HU(A)	768-0037-2	Housing : PBT / Gray O-ring : Silicone / Brown Ring : Ferrous / Zinc plating		

Note 1 : Applicable contact is GT18-2022PCF.
 Note 2 : Use M6 screw
 Note 3 : Torque : 7N · m(Max)
 Note 4 : GT18WB-14DP-HU(A) can only be mated with GT18WB-14DP-HU.

Panel mount in-line connector (three piece structure)

◆Recommended panel cutout dimension
(Material : A5052)

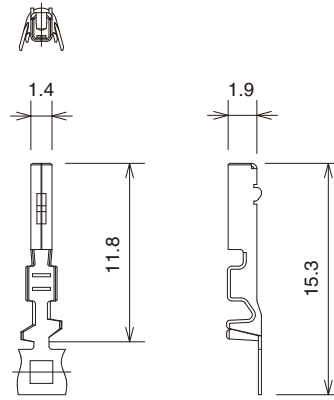
M Connector



Part No.	HRS No.	Material/Plating or Color	Packaging	RoHS
GT18WB-8DP-AD	(Under development)	Housing : PBT / Black O-ring : Silicone / Brown Terminal : Brass / Tin plating Ring : Ferrous / Zinc plating	1	YES
GT18WB-14DP-AD	(Under development)			

Note 1 : Use M6 screw
 Note 2 : Torque : 7N · m(Max)

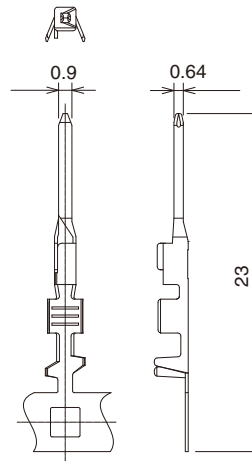
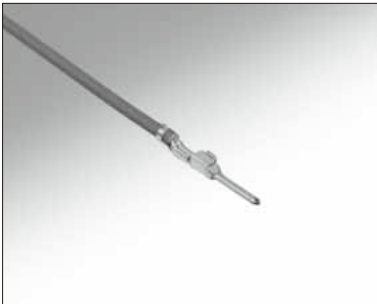
Terminal for female connector



Part No.	HRS No.	Material	Plating	Conductor Size (AWG)	Outer Diameter	Packaging	RoHS
GT25HA-2024SCF	775-0054-0 00	Copper palloy	Tin plating	20 to 22 AWG	φ 1.3 to 1.5	10,000 pcs/reel	YES
GT25HA-2024SCF(01)	775-0054-0 01		Gold plating				

Note 1 : Applicable connector is GT18W*-DS-HU.

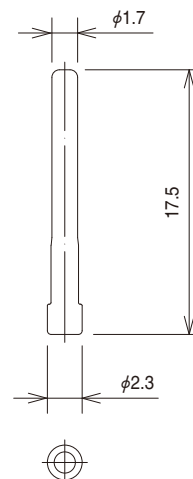
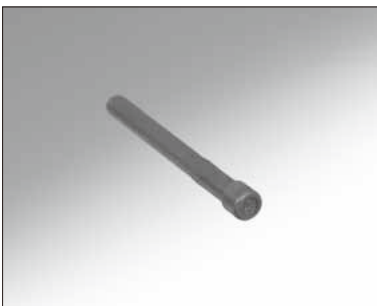
Terminal for male connector



Part No.	HRS No.	Material	Plating	Conductor Size (AWG)	Outer Diameter	Packaging	RoHS
GT18C-2022PCF	(Under development)	Brass	Tin plating	20 to 22 AWG	φ 1.4 to 1.6	10,000 pcs/reel	YES
GT18C-2022PCF(01)			Gold plating				

Note 1 : Applicable connector is GT18W*-DS-HU.

Waterproof stopper



Part No.	HRS No.	Material/Plating or Color	Packaging	RoHS
GT18W-WCP(2022)	768-0033-1 00	PBT/Brown	100 pcs/pack	YES

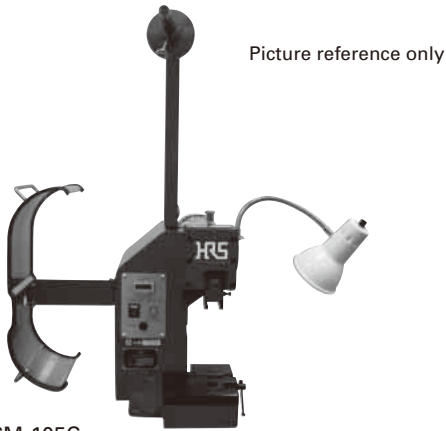
Note 1 : Applicable connector is GT18W*-DS-HU.

- GT5
- GT13
- GT16
- PO5G
- GT19
- GT21
- GT26
- GT36
- GT11
- GT17
- GT32
- GT3
- GT7
- GT10
- GT18W**
- GT25
- GT8E
- GT9
- GT15

◆ Crimping tools

User manuals are available. Please contact your Hirose Electric account representative.

● Automatic Crimping Machine



Part No. CM-105C

Specifications

Item	Specification	Remarks
Press capacity	1.5tons	—
Stroke Length	30mm	—
Number of strokes	200spm (50Hz)	240spm (60Hz)
Weight	75kg	—
Motor	0.2kw	AC100V
Crimping speed	2,000 to 4,000 pcs/hour	—

Terminal Part No.	Terminal HRS No.	Tool Part No.	Tool HRS No.
GT25HA-2024SCF	775-0054-0 00	AP105-GT25HA-2024S	901-5224-5
GT18-2022PCF	768-0019-0 00	AP105-GT18-2022P	901-5205-0