

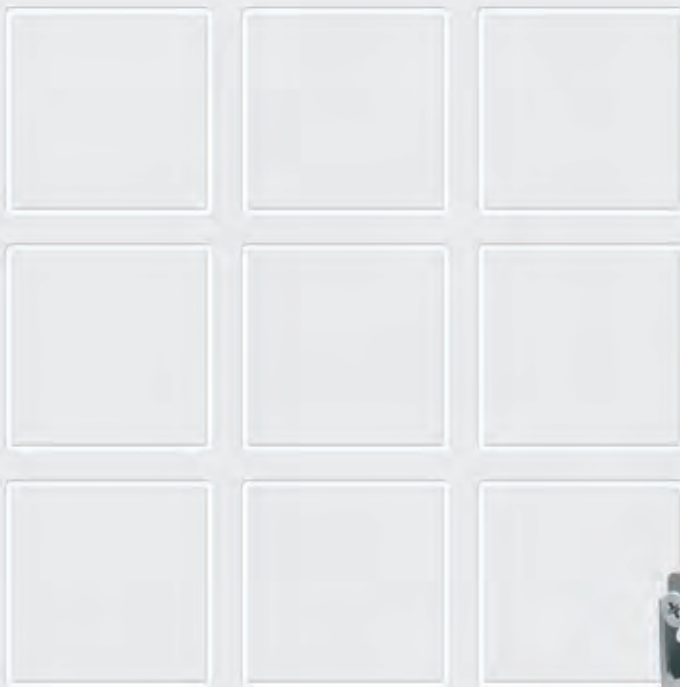
# 4

## Electrics for Rolling Stock

S126, S860 Series

Keylock switches  
single and double pole

Catalogue [B120.en](#)



## Keylock switches S126 and S860 Series

The keylock switches are designed to prevent unauthorised use of installations or vehicles, and for use as interlock safety switches of control panels and consoles.

Our keylock switches are available in single- and double-pole configurations. Double-pole keylock switches feature switching elements of the same type. The locking cylinder functions both as actuator and interlock.

There is a fixed detent position for ON and OFF with key pull only in the OFF position (when contacts are open). The switches are activated by a key that is turned in a circle.

Our keylock switches are fitted with a standard locking cylinder and keyway system. However, the cylinder is also available with two alternative keyway systems.

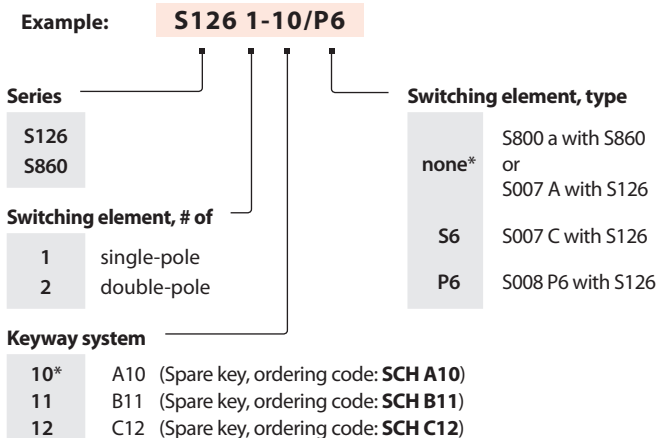
### Features

- Rugged design
- Locking cylinder for 3 different keyway systems
- Continuous current capacity
- 2 standard keys are supplied

### Applications

- Installations
- Vehicles
- Control panels and consoles

### Ordering code



\* Default

### Stock items

S126 Series	S860 Series
S126 1-10	S860 1-10
S126 2-10	S860 2-10
S126 2-10/P6	S860 1-11
S126 1-11	
S126 1-12	

#### Special variant

If you need a special variant of the switch, please do not hesitate to contact us. Maybe the switch configuration you are looking for is among our many special designs. If not, we can also supply customized designs. In this case, however, minimum order quantities apply.

### Specifications

Baureihe	S126			S860
Conventional thermal current $I_{th}$	25 A	60 A	60 A	10 A
Rated insulation voltage $U_i$	400 V			400 V
Rated impulse withstand voltage $U_{imp}$	4 kV			4 kV3
Pollution degree	PD3			PD3
Switching element	S007 A	S007 C	S008 P6	S800 a
Blowout	---	---	permanent-magnetic	---
For detailed information about switching elements refer to our	catalogue D30.en			catalogue D20.en
Degree of protection, EN 60529	IP00			Screw-type terminals: IP00 Contacts: dustproof
Terminals	screw-type M5	screw-type M6	screw-type M6	screw-type M3 with saddle clamp for 2 wires, AWG size 18 ... 13 (0.75 ... 2.5 mm <sup>2</sup> )
Weight	single-pole: 0.25 kg double-pole: 0.30 kg			single-pole: 0.26 kg double-pole: 0.30 kg

### S126 Series

By default, S126 Series keylock switches come with cam-operated switching elements of Series S007 A featuring a current rating of 25 A.

Alternatively, the keylock switch is also available with a continuous current capacity of 60 A when fitted with the optional cam-operated switching element S007 C and S008 P6 respectively.

Contrary to snap-action switches, cam-operated switching elements are designed for higher current ratings (up to 60 A). In addition to that, S008 P6 Series switching elements have permanent-magnetic blowout to increase the maximum breaking capacity of the switch in DC applications.

### S860 Series

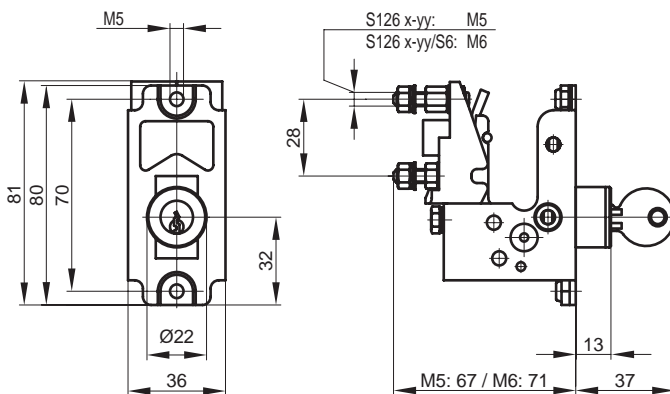
S860 Series keylock switches are fitted with S800 a Series snap-action switches, which have a current rating of 10 A.

The S800 a is a Form C SPDT snap-action switch with double-break contacts and positive opening operation, which ensures the failsafe disconnection of the contacts even if they have become welded together after a short-circuit. That is what makes them ideally suited for use in safety-related applications.

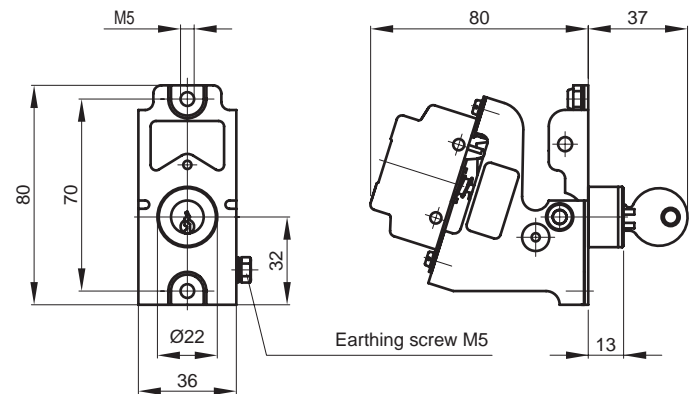
Thanks to their snap-action mechanism these switches allow for slow actuator speed and, despite their small package size, a failsafe switching of relatively high loads.

### Dimension and circuit diagram S126 series, S860 series

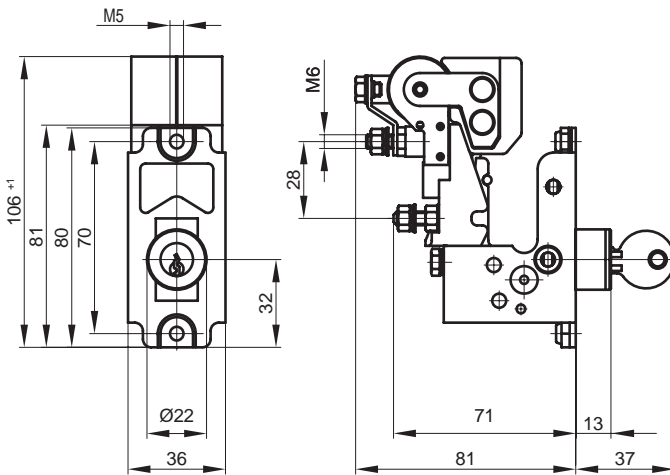
• Dimension diagram S126 x-yy and S126 x-yy/S6 Series



• Dimension diagram S860 Series

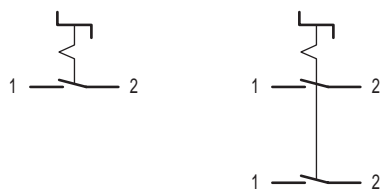


• Dimension diagram S126 x-yy/P6 Series



- Notes on project planning:**
- Polarity is important with cam-operated switching elements (S126 x-yy/P6 Series) featuring permanent-magnetic blowout. The positive terminal bolt is, therefore, clearly marked »+«. So make sure to connect the positive wire to this terminal bolt.
  - Our keylock switches are delivered for front panel mounting coming with two countersunk screws (DIN EN ISO 7046 M5 x 16).

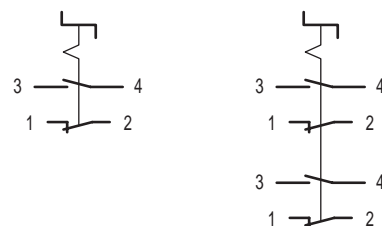
• Circuit diagram S126 x-yy, S126 x-yy/S6 and S126 x-yy/P6 Series



S126 1-xx/yy Series (single-pole)

S126 2-xx/yy Series (double-pole)

• Circuit diagram S860 Series



S860 1-xx Series (single-pole)

S860 2-xx Series (double-pole)

# Schaltbau GmbH

For detailed information on our products and services visit  
- or give us a call!

Schaltbau GmbH  
Hollerithstrasse 5  
81829 Munich  
Germany

Phone +49 89 9 30 05-0  
Fax +49 89 9 30 05-350  
Internet [www.schaltbau.com](http://www.schaltbau.com)  
e-Mail [contact@schaltbau.de](mailto:contact@schaltbau.de)

with compliments:



Schaltbau GmbH manufactures in compliance with RoHS.



The production facilities of Schaltbau GmbH have been IRIS certified since 2008.



Certified to DIN EN ISO 14001 since 2002. For the most recent certificate visit our website.



Certified to DIN EN ISO 9001 since 1994. For the most recent certificate visit our website.

## Electrical Components and Systems for Railway Engineering and Industrial Applications

### Connectors

- Connectors manufactured to industry standards
- Connectors to suit the special requirements of communications engineering (MIL connectors)
- Charging connectors for battery-powered machines and systems
- Connectors for railway engineering, including UIC connectors
- Special connectors to suit customer requirements

### Snap-action switches

- Snap-action switches with positive opening operation
- Snap-action switches with self-cleaning contacts
- Enabling switches
- Special switches to suit customer requirements

### Contactors

- Single and multi-pole DC contactors
- High-voltage AC/DC contactors
- Contactors for battery powered vehicles and power supplies
- Contactors for railway applications
- Terminal bolts and fuse holders
- DC emergency disconnect switches
- Special contactors to suit customer requirements

### Electrics for rolling stock

- Equipment for driver's cab
- Equipment for passenger use
- High-voltage switchgear
- High-voltage heaters
- High-voltage roof equipment
- Equipment for electric brakes
- Design and engineering of train electrics to customer requirements

We reserve the right to make technical alterations without prior notice.

For updated product information visit [www.schaltbau-gmbh.com](http://www.schaltbau-gmbh.com).

Issued 05-2012