

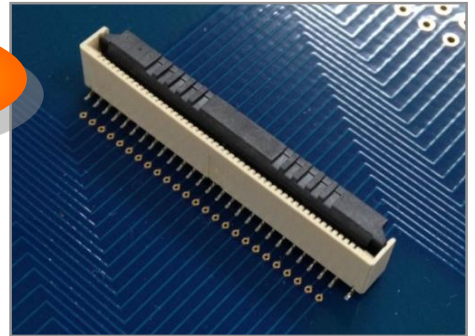


# TF38 Series

0.5mm Pitch, 5.2mm Height, Double Sided Leads  
Vertical Mating, FPC/FFC Connector

## ◆ Features

**Vertical Type & Easy operation!**



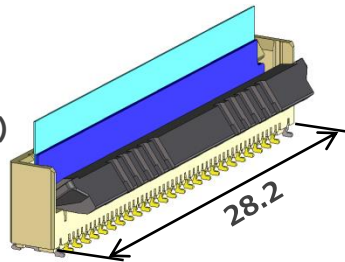
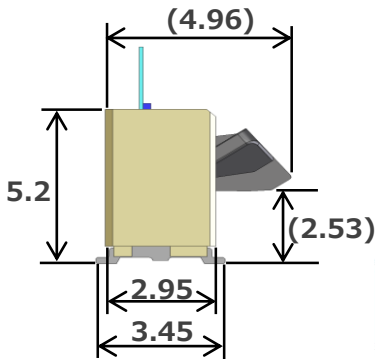
1. Vertical type FPC/FFC connector
  - 0.5mm Pitch, 5.2mm Height, 4.96mm Depth (Locked position)
2. High reliability
  - Robust lock design to prevent unintended actuator opening by bending FPC
  - High FPC retention force with FPC side-catcher design
  - Solder wicking and flux penetration prevention
3. User-friendly design
  - Simple & easy workability
4. Environmental compatibility
  - RoHS compliant, Halogen-free product\*1

\*1 This product satisfies halogen free requirements defined as 900 ppm maximum chlorine, 900 ppm maximum bromine, and 1500 ppm maximum total of chlorine and bromine.

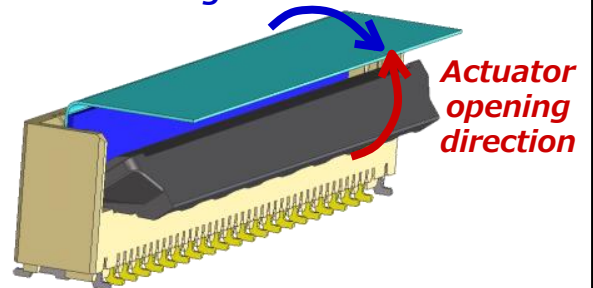
## ◆ Dimensions (50 pos.) [Locked position]

## ◆ Actuator Opening prevention design

Unit : mm



*FPC bending direction*



Actuator does not open by bending FPC because actuator opening direction is opposite from FPC bending direction.

⇒ Prevents unintended actuator opening

※ Variations : 18 to 60 pos.

## ◆ Specifications

Contact Resistance *2	50mΩ Max.
Withstanding Voltage	150V AC for 1minute
Insulation Resistance	500MΩ Min. (100V DC)
Rated Current	0.5A
Rated Voltage	AC/DC 50V
FPC/FFC Thickness	0.3±0.03mm

\*2 FPC/FFC resistance is included.

※Specifications herein are subject to change without notice. Contact Hirose for latest specifications, drawings or availabilities.