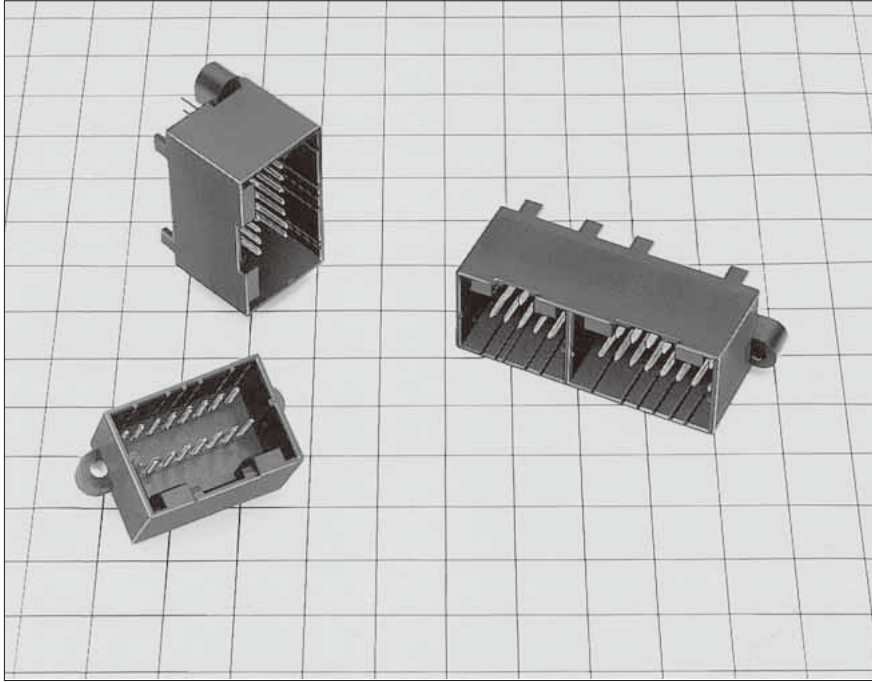


GT3 Series



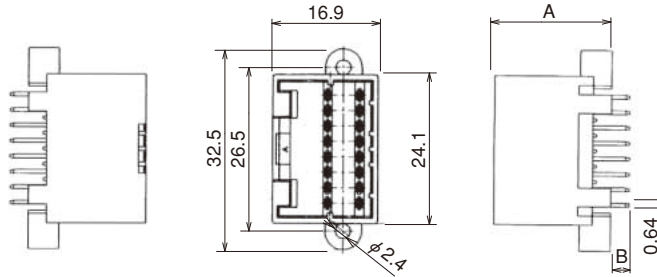
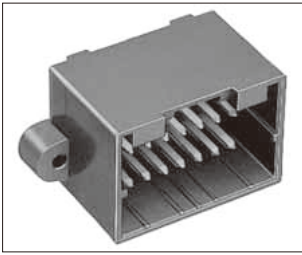
■ Features

- Available in a low-profile (GT3) and a standard (GT3B) type.
- Tab width is size 040.

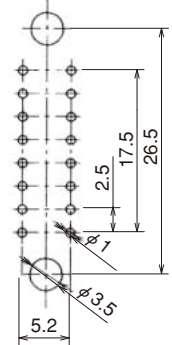
M Connectors

● Board mounting type

16 Pos.

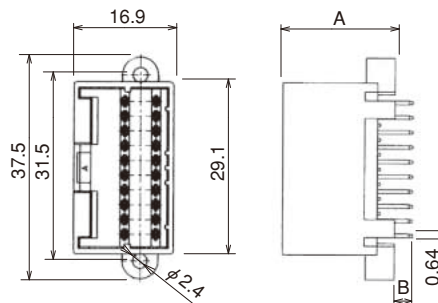
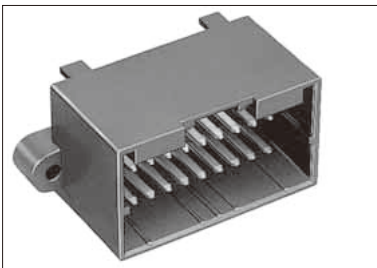


◆ Recommended PCB pattern

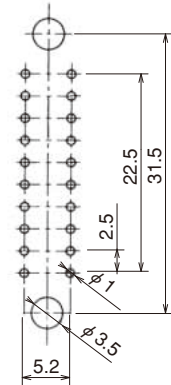


Part No.	HRS No.	Material/Plating or Color	A Dimension	B Dimension	Packaging	RoHS
GT3-16DP-2.5DSA(70)	753-0001-6 70	Housing : PBT/Black Terminal : Brass/Tin plating	17	5	1	YES
GT3B-16DP-2.5DSA(70)	753-0003-1 70		19	3		

20 Pos.



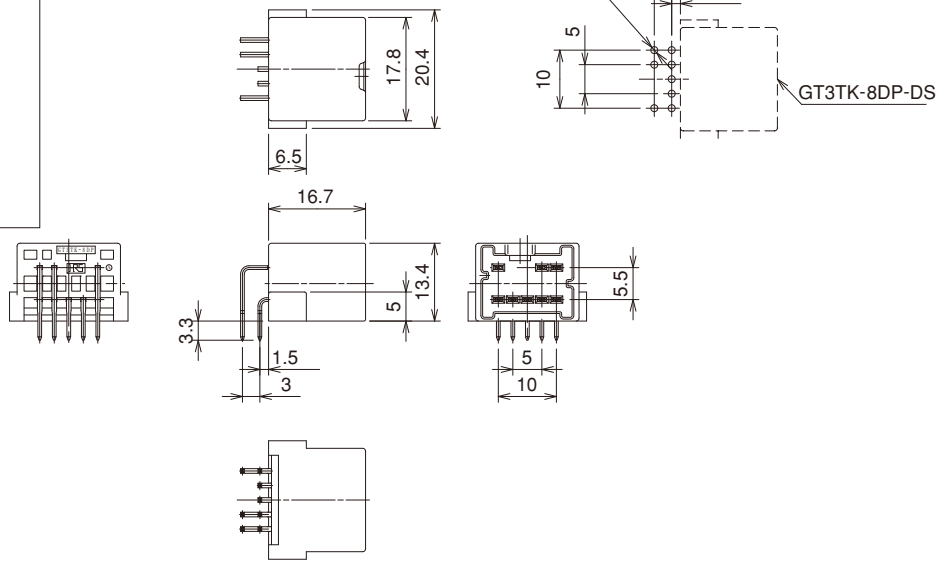
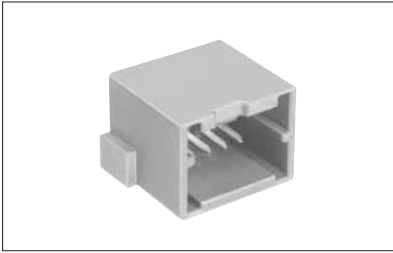
◆ Recommended PCB pattern



Part No.	HRS No.	Material/Plating or Color	A Dimension	B Dimension	Packaging	RoHS
GT3-20DP-2.5DSA(70)	753-0002-9 70	Housing : PBT/Black Terminal : Brass/Tin plating	17	5	1	YES
GT3B-20DP-2.5DSA(70)	753-0004-4 70		19	3		

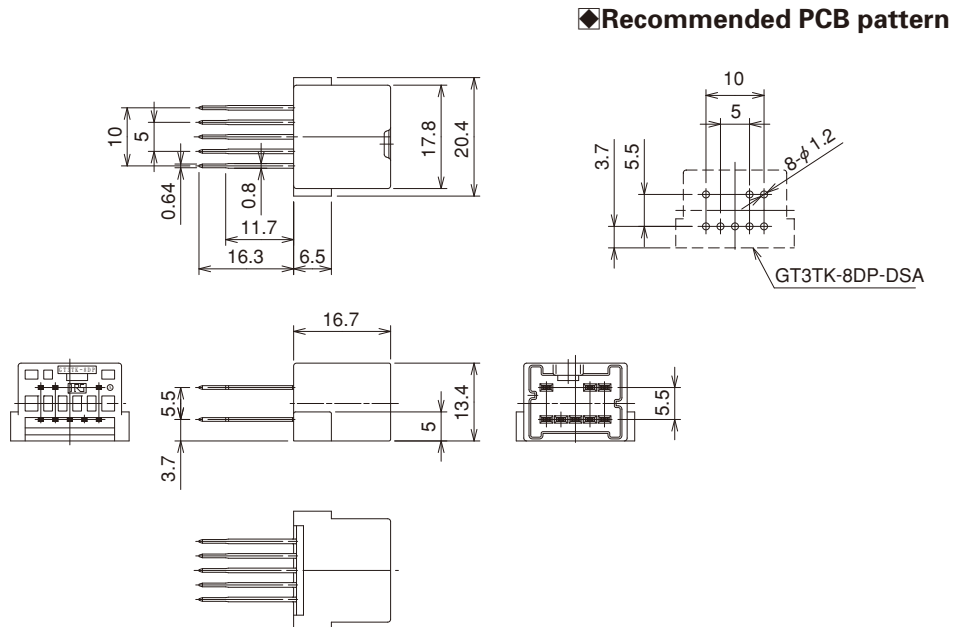
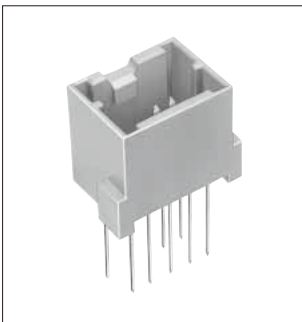
● Board mounting type

8-Pos. Right Angle



Part No.	HRS No.	Material/Plating or Color	Packaging	RoHS
GT3TK-8DP-DS	753-0007-2	Housing : PBT/Brown Terminal : Brass/Tin plating	1	YES

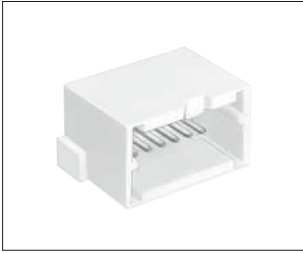
8-Pos. Straight



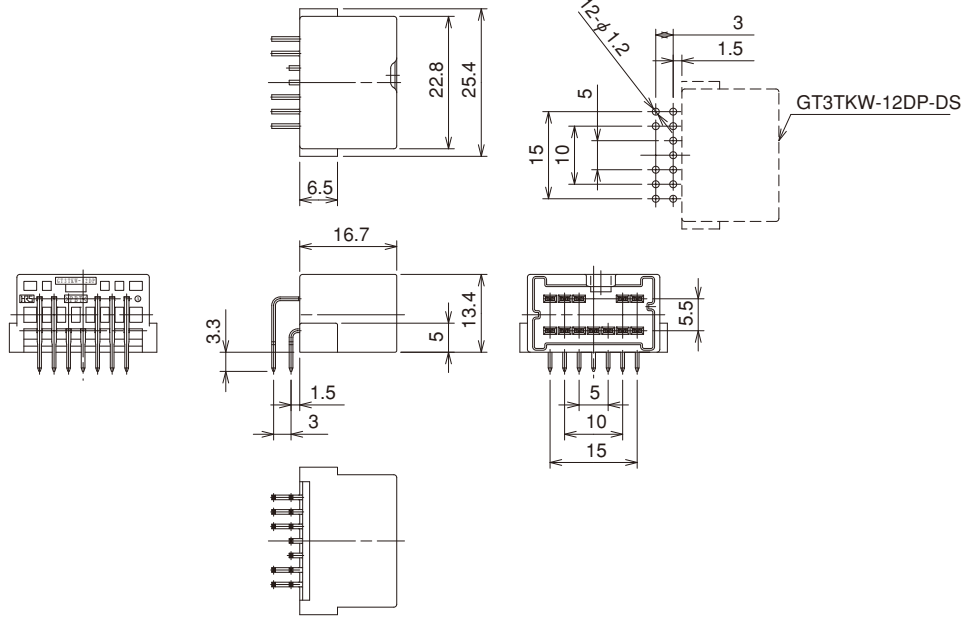
Part No.	HRS No.	Material/Plating or Color	Packaging	RoHS
GT3TK-8DP-DSA	753-0018-9	Housing : PBT/Brown Terminal : Brass/Tin plating	1	YES

- GT5
- GT13
- GT16
- PO5G
- GT19
- GT21
- GT26
- GT36
- GT11
- GT17
- GT32
- GT3**
- GT7
- GT10
- GT18W
- GT25
- GT8E
- GT9
- GT15

12-Pos. Right Angle

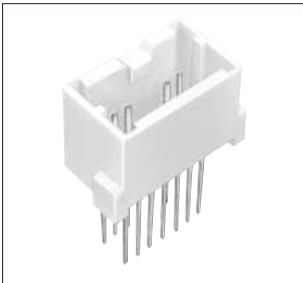


◆ Recommended PCB pattern

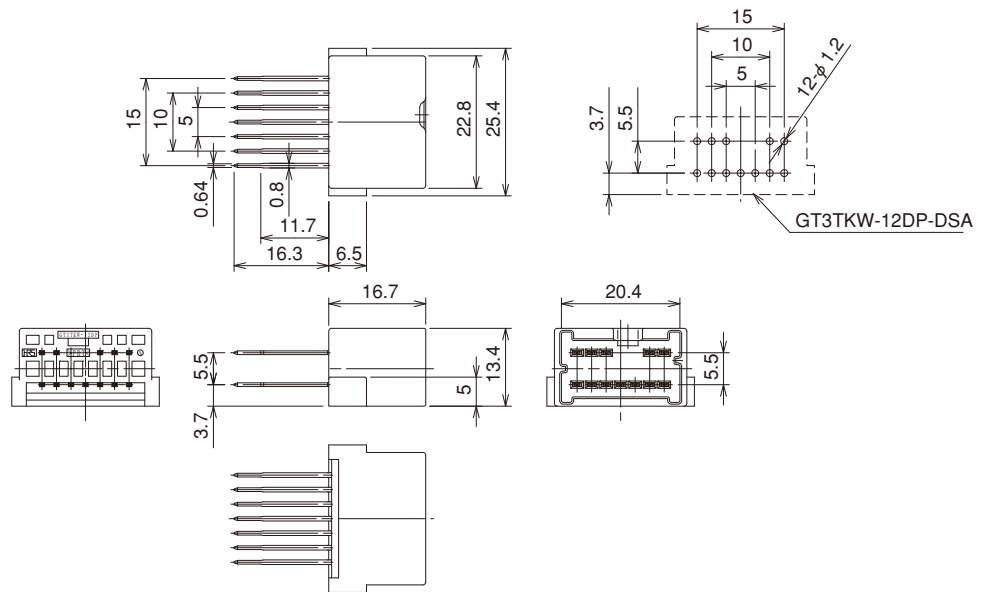


Part No.	HRS No.	Material/Plating or Color	Packaging	RoHS
GT3TKW-12DP-DS	753-0010-7	Housing : PBT/Natural Terminal : Brass/Tin plating	1	YES

12-Pos. Straight



◆ Recommended PCB pattern

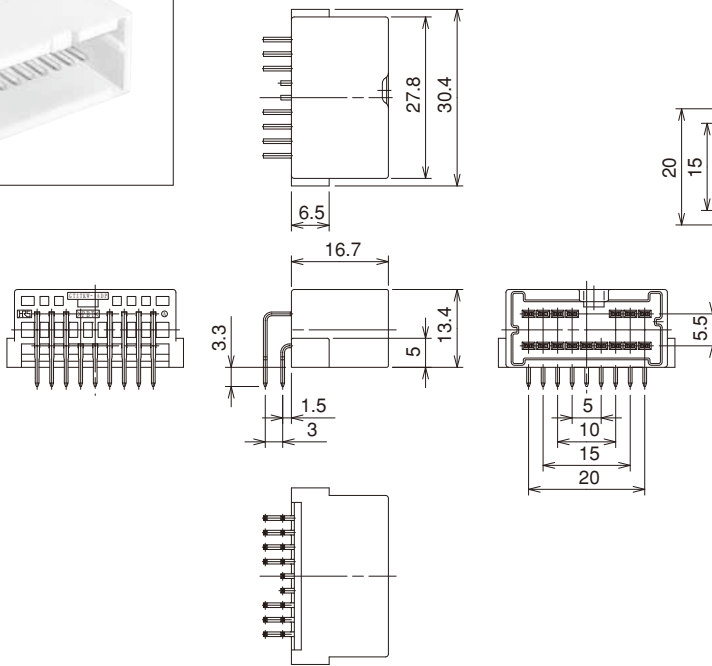
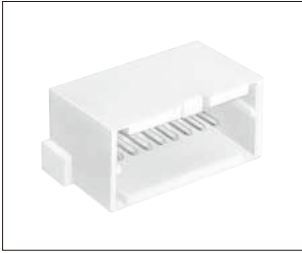


Part No.	HRS No.	Material/Plating or Color	Packaging	RoHS
GT3TKW-12DP-DSA	753-0015-0	Housing : PBT/Natural Terminal : Brass/Tin plating	1	YES

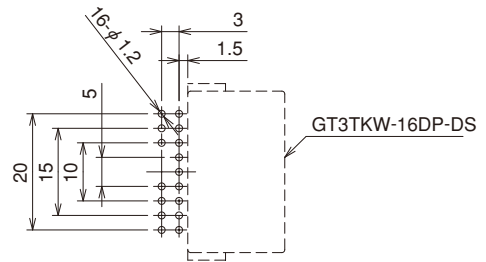
Interface Connector Copyright 2019 HIROSE ELECTRIC CO., LTD. All Rights Reserved.

- GT5
- GT13
- GT16
- PO5G
- GT19
- GT21
- GT26
- GT36
- GT11
- GT17
- GT32
- GT3**
- GT7
- GT10
- GT18W
- GT25
- GT8E
- GT9
- GT15

16-Pos. Right Angle

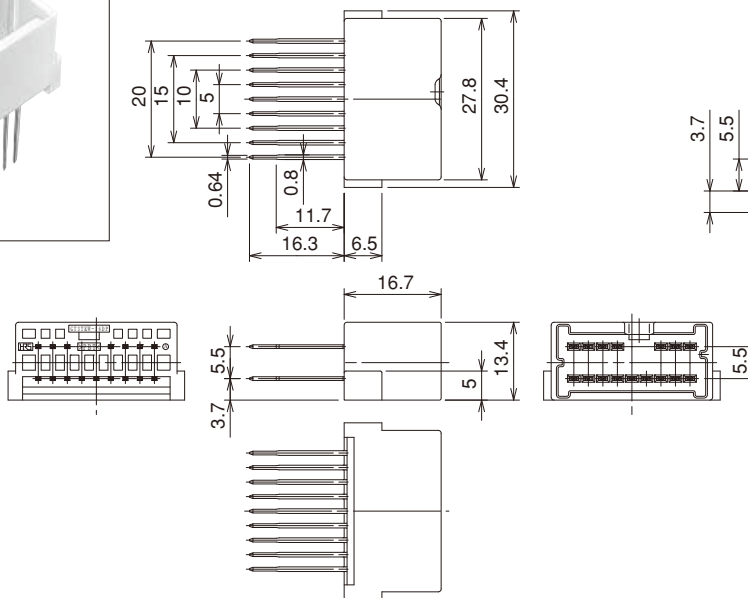
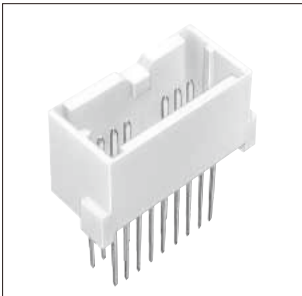


◆Recommended PCB pattern

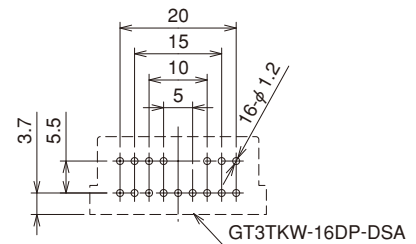


Part No.	HRS No.	Material/Plating or Color	Packaging	RoHS
GT3TKW-16DP-DS	753-0011-0	Housing : PBT/Natural Terminal : Brass/Tin plating	1	YES

16-Pos. Straight

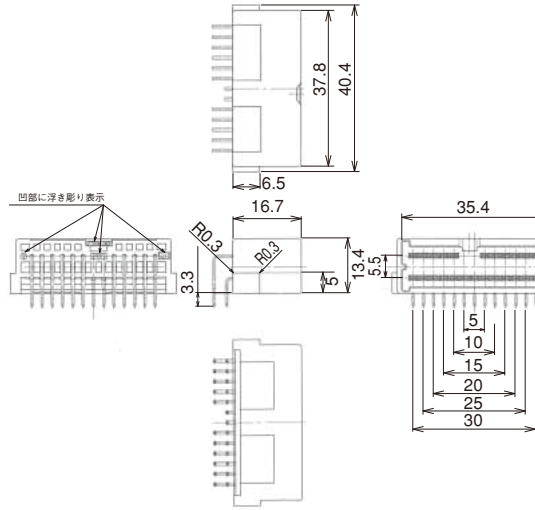
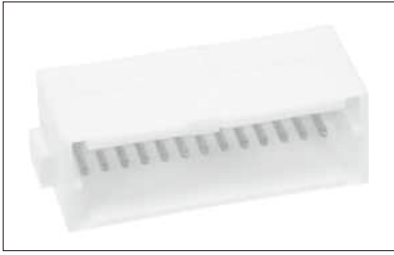


◆Recommended PCB pattern

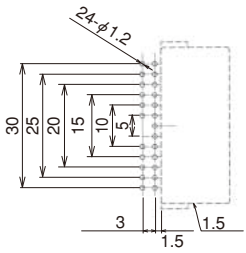


Part No.	HRS No.	Material/Plating or Color	Packaging	RoHS
GT3TKW-16DP-DSA	753-0012-2	Housing : PBT/Natural Terminal : Brass/Tin plating	1	YES

24-Pos. Right Angle

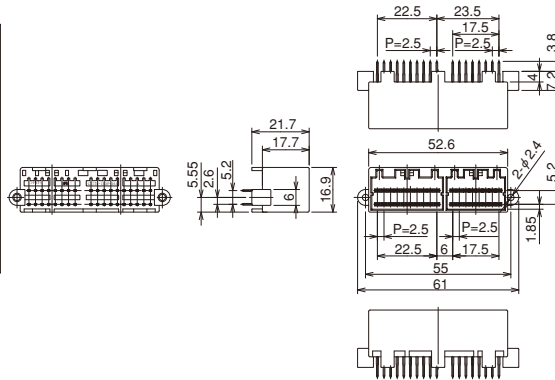
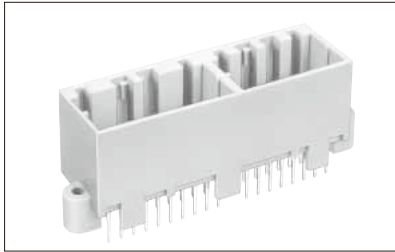


Recommended PCB pattern

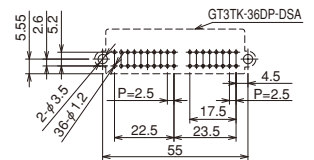


Part No.	HRS No.	Material/Plating or Color	Packaging	RoHS
GT3TKW-24DP-DS	753-0019-1	Housing : PBT/Natural Terminal : Brass/Tin plating	1	YES

36-Pos. Straight



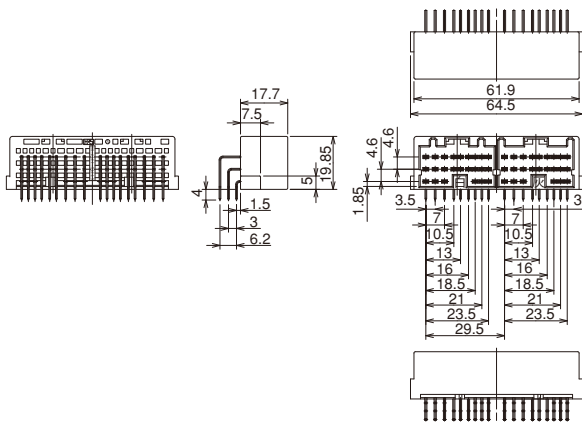
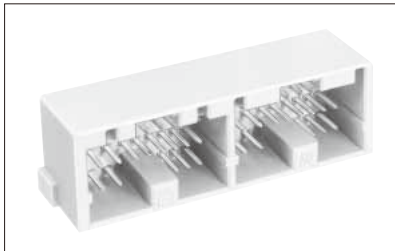
Recommended PCB pattern



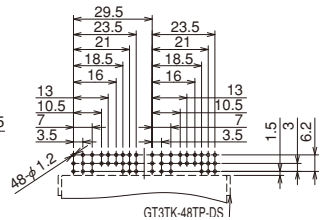
Part No.	HRS No.	Material/Plating or Color	Packaging	RoHS
GT3TK-36DP-DSA	753-0017-6	Housing : PBT/Light Gray Terminal : Brass	1	YES

Note: Use mounting screws of M3 with nominal diameter 3L-8.

48-Pos. Right Angle



Recommended PCB pattern



Part No.	HRS No.	Material/Plating or Color	Packaging	RoHS
GT3TK-48TP-DS	753-0008-5	Housing : PBT/Light Gray Terminal : Brass	1	YES