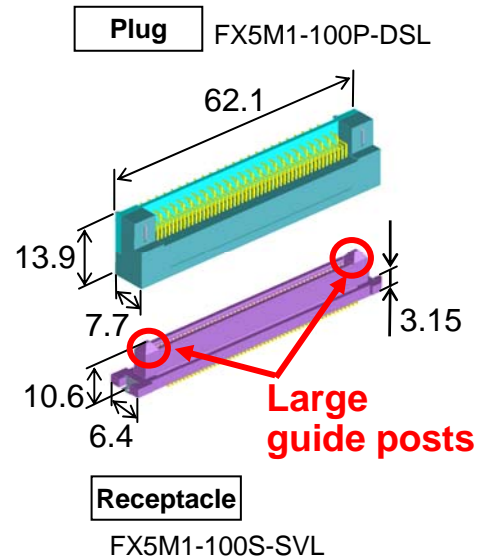
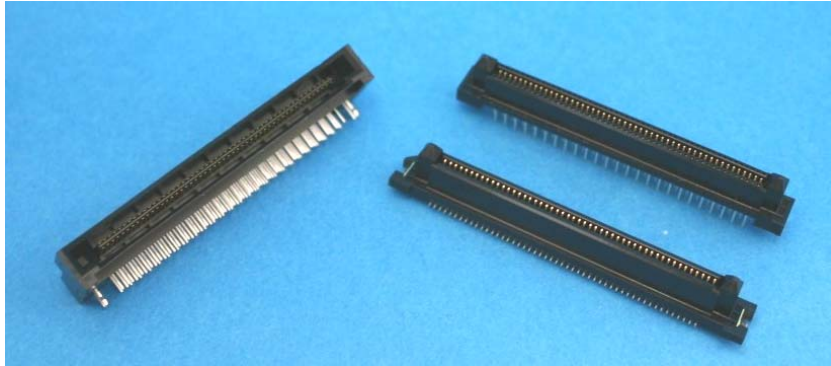




FX5M1 Series

1.0 mm pitch, high-pin-count Board to Board connector

MKT-E-05010F



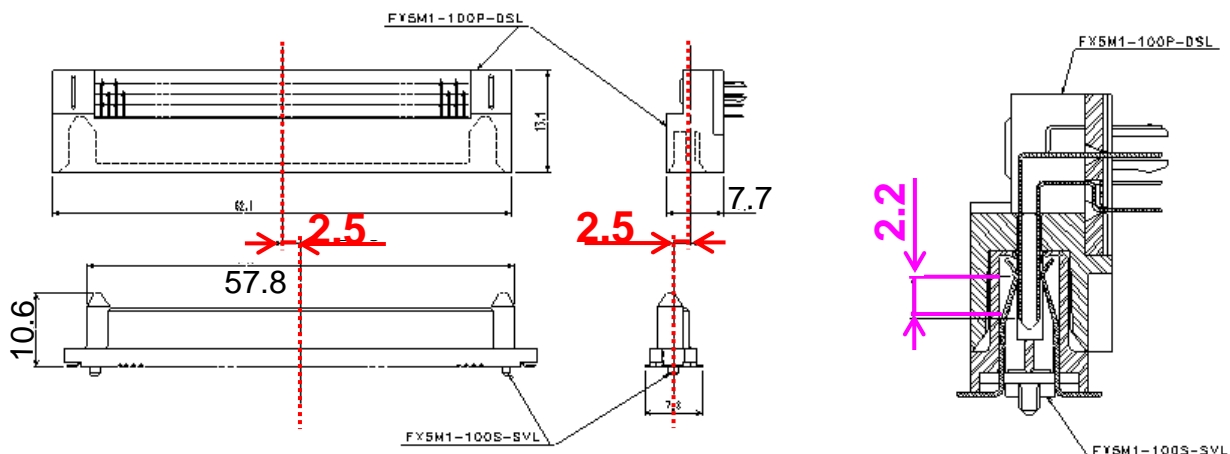
◆ Features

1. High-pin-count : 100 pos., 120 pos.
2. Large guide post design for connector alignment for mating
Wide alignment range: 2.5 mm
3. Long effective mating length: 2.2 mm
4. Clear click feeling for mating
5. RoHS-compliant types are also available.

◆ Large guide post design for connector alignment

Alignment range: 2.5 mm

Effective mating length: 2.2 mm



◆ Applications:

Office equipment, FA control unit, and others

Specifications herein are subject to change without notice. Contact Hirose for latest specifications, drawings or availabilities.